



ROLL-UP CONTROL

ROLL UP-CONTROL

WIRED 3

Control of one motor
Control of two independent motors

RADIO CONTROL 4-5

Control of one motor via radio control transmitter
Control of several motors via radio control transmitter
Control of one radio controlled motor via radio control transmitter
Control of several radio controlled motors via radio control transmitter

MEDIA CONTROL OR IB-BUS-SYSTEM 6-7

Control of one motor via media control or IB-BUS-system

MEDIA CONTROL & RADIO CONTROL 8-9

Control of a motor via media control and radio control
Control of a radio controlled motor via media control and radio control

TRIGGER 10-11

Control of a motor via 12V Trigger signal of the projector
Control of a motor via 230V Trigger signal of the projector
Control of several motors via 230V Trigger signal of the projector

DMX 12-13

Control of one motor via DMX signal

ROLL UP-CONTROL Wired

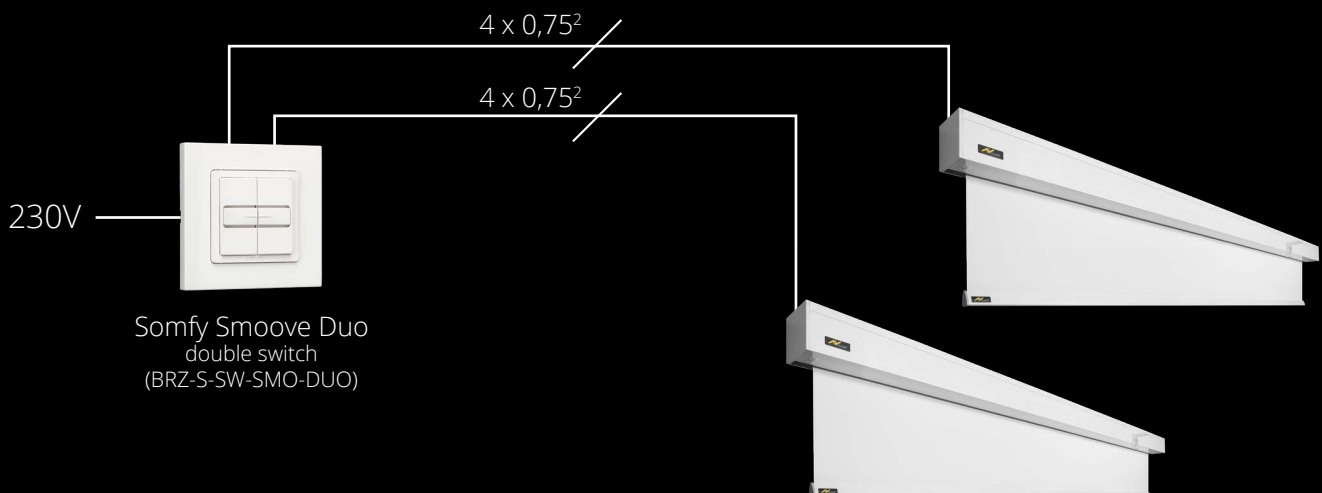
Control of one motor

- direct control
- simple wiring
- cost-effective



Control of two independent motors

- direct control (e.g.: 1x motor roll up screen and 1x blind)
- simple wiring
- cost-effective

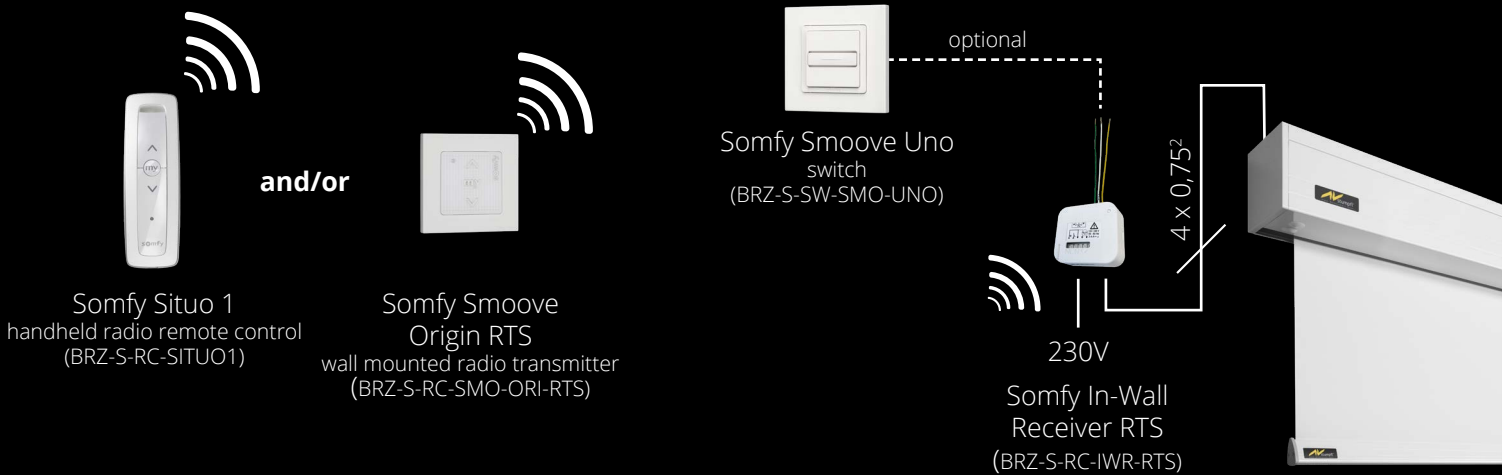


ROLL UP-CONTROL

Radio control

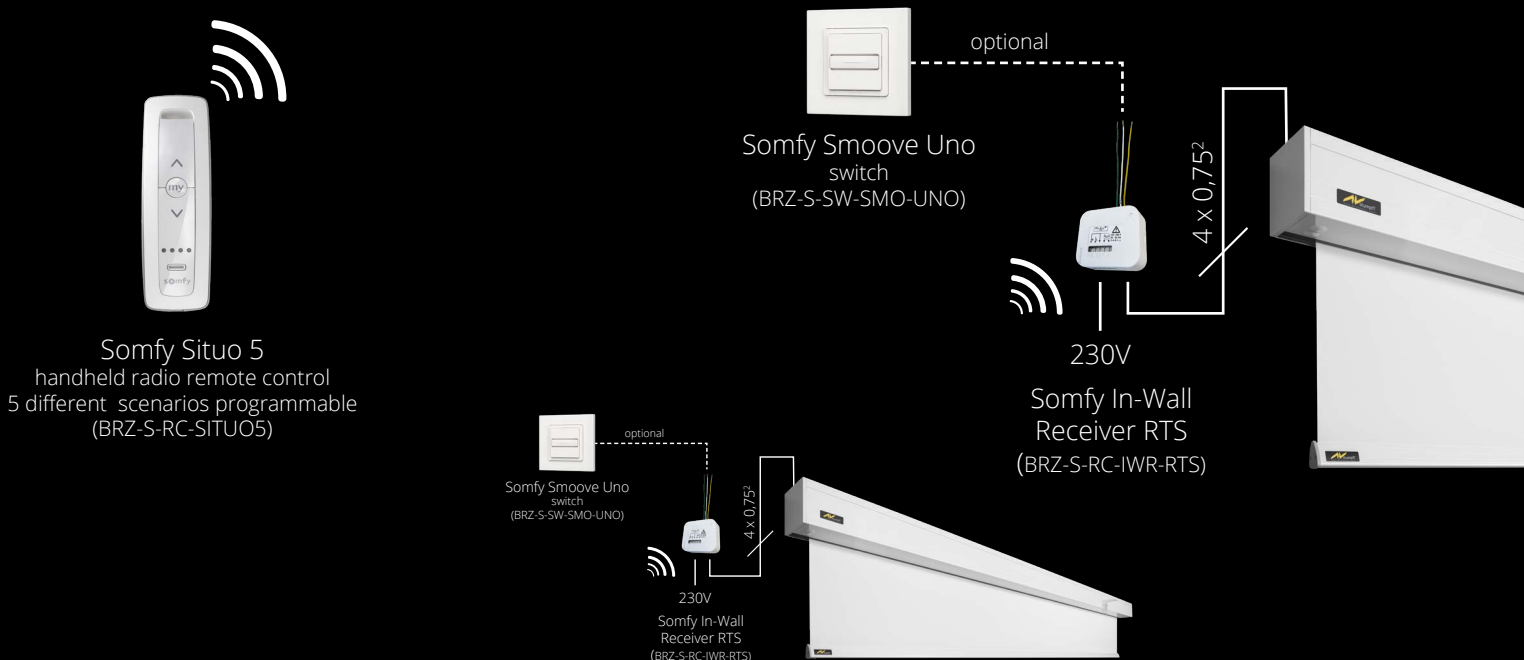
Control of one motor via radio control transmitter

- less wiring effort due to radio control
- several radio control transmitter programmable
- handheld radio remote control and wall mounted transmitter possible
- intermediate position (image format) programmable
- emergency operation via switch Somfy Smooove Uno or wire contact possible



Control of several motors via radio control transmitter

- less wiring effort due to radio control
- 5 different scenarios programmable (single or group control)
- several radio control transmitter programmable
- handheld radio remote control and wall mounted transmitter possible
- intermediate position (image format) programmable
- emergency operation via switch Somfy Smooove Uno or wire contact possible



ROLL UP-CONTROL

Radio control

Control of one radio controlled motor via radio control transmitter

- end position adjustable via remote control
- intermediate position (image format) programmable
- less wiring effort due to radio control
- several radio control transmitter programmable
- handheld radio remote control and wall mounted transmitter possible
- without remote control NO emergency operation possible



Somfy Situo 1
handheld radio remote control
(BRZ-S-RC-SITUO1)

and/or



Somfy Smoove
Origin RTS
wall mounted radio transmitter
(BRZ-S-RC-SMO-ORI-RTS)

230V

Radio controlled motor with
built-in receiver
(BRZ-MOD/FM/3NM)
(BRZ-MOD/FM/6NM)
(BRZ-MOD/FM/10NM)
(BRZ-MOD/FM/20NM)



Control of several radio controlled motors via radio control transmitter

- end position adjustable via remote control
- intermediate position (image format) programmable
- less wiring effort due to radio control
- 5 different scenarios programmable (single or group control)
- several radio control transmitter programmable
- handheld radio remote control and wall mounted transmitter possible
- without remote control NO emergency operation possible



Somfy Situo 5
handheld radio remote control
5 different scenarios programmable
(BRZ-S-RC-SITUO5)

230V

Radio controlled motor with
built-in receiver
(BRZ-MOD/FM/3NM)
(BRZ-MOD/FM/6NM)
(BRZ-MOD/FM/10NM)
(BRZ-MOD/FM/20NM)



230V

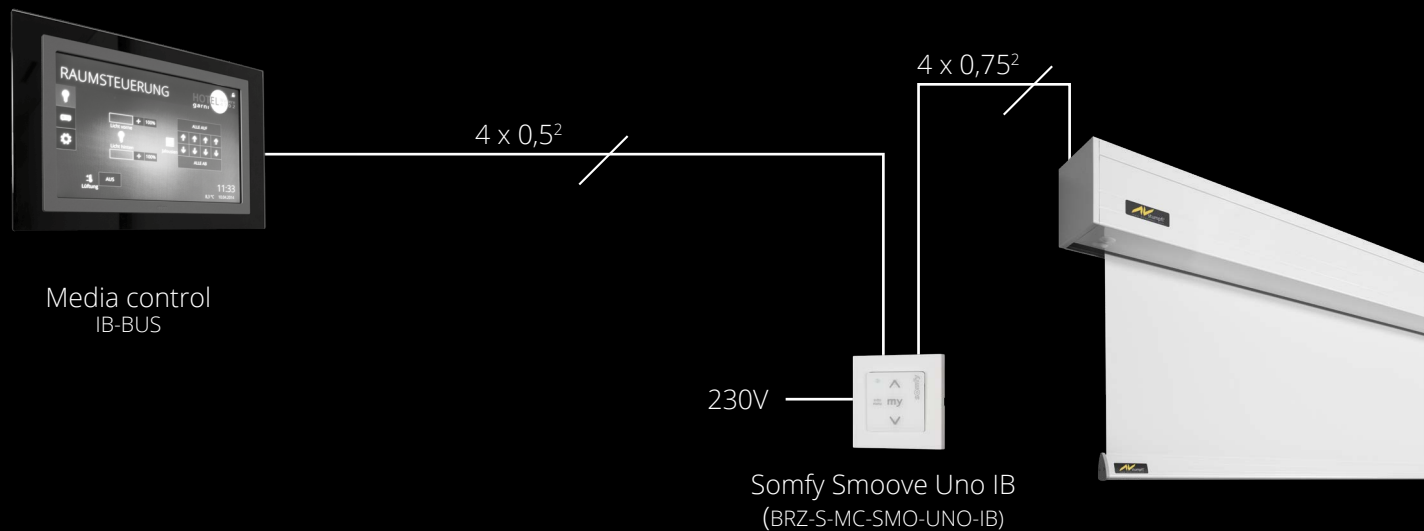


ROLL UP-CONTROL

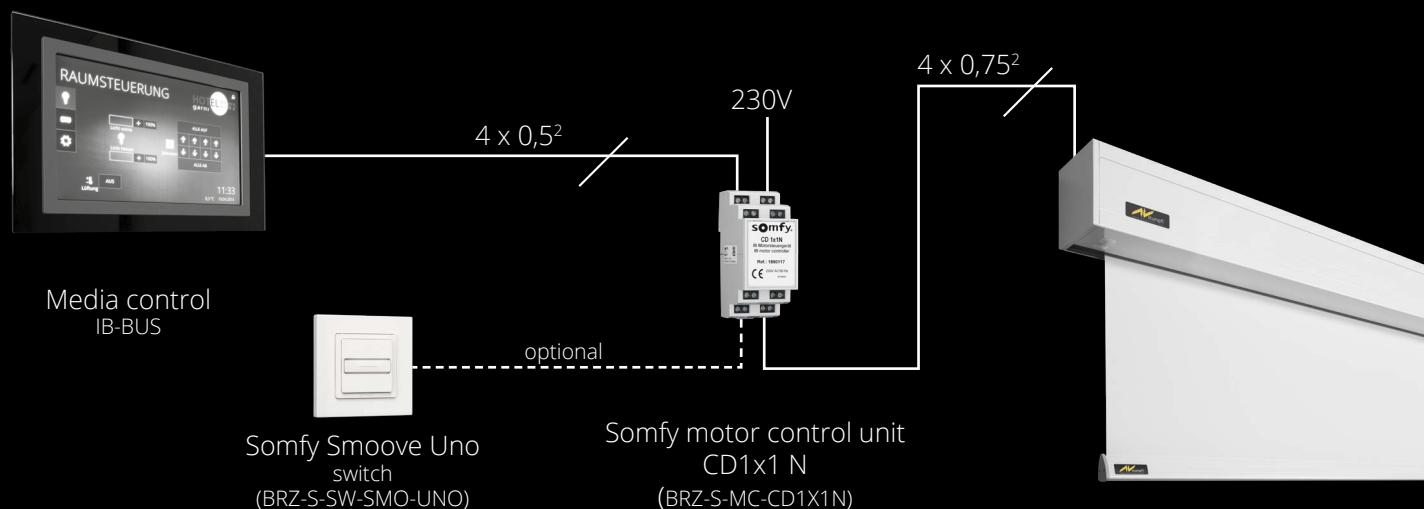
Media control or IB-BUS-system

Control of one motor via media control or IB-BUS-system

- motor control unit for flush mounting with integrated switch
- control via media control or IB-BUS system due to dry contact
- Manual control by using buttons on the motor control unit
- intermediate position (image format) programmable
- compatible to all switch series in standard size 50x50mm



- motor control unit for DIN rail mounting
- control via media control or IB-BUS system due to dry contact
- direct control by optional switch possible
- intermediate position (image format) programmable

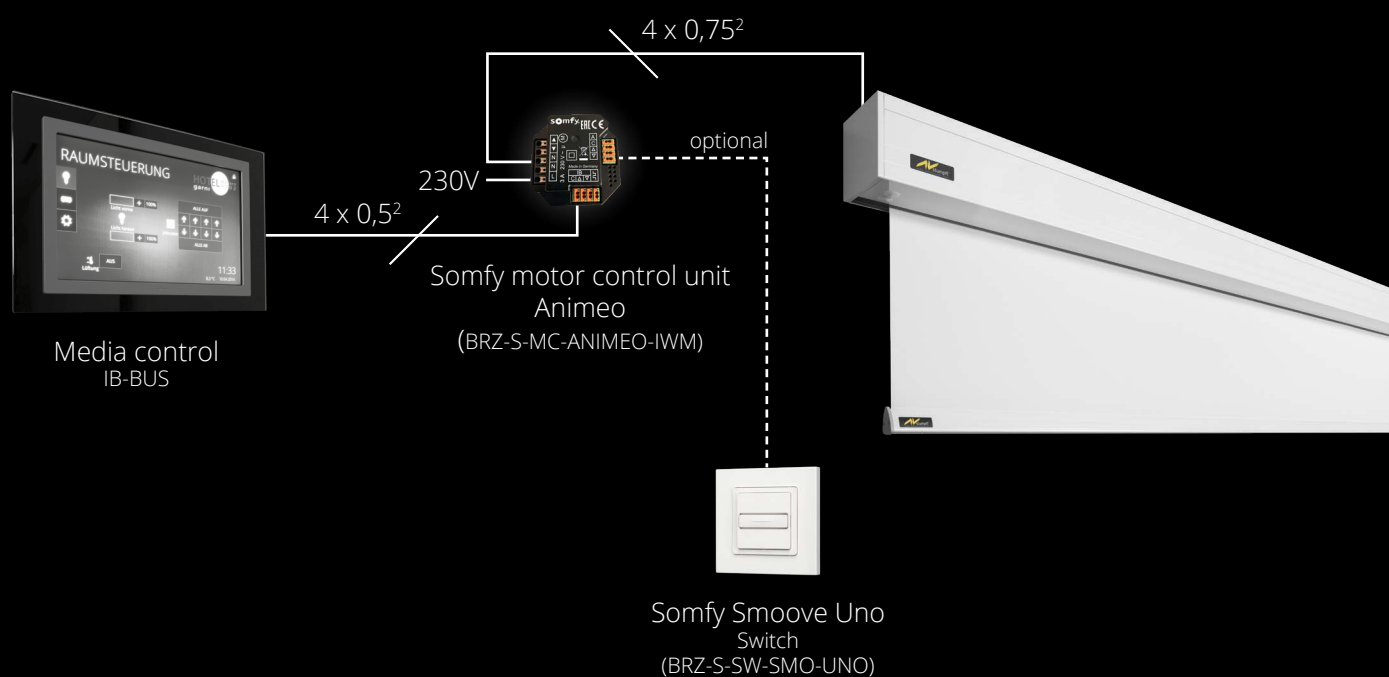


ROLL UP-CONTROL

Media control or IB-BUS-system

Control of one motor with media control or IB-BUS-system

- motor control unit for flush mounting in with integrated switch
- control with media control or IB-BUS system via dry contact
- direct control by optional switch possible
- intermediate position (image format) programmable

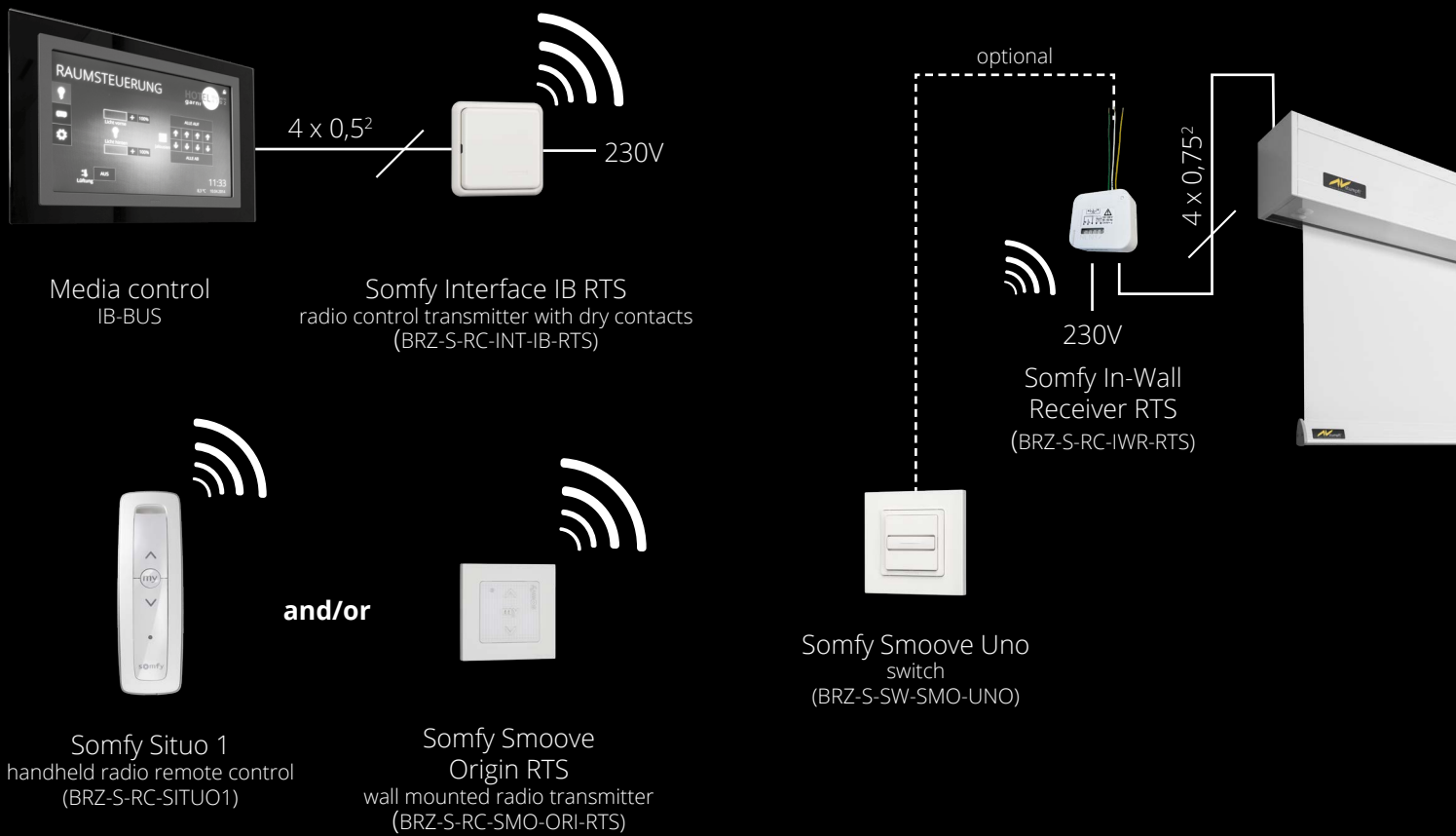


ROLL UP-CONTROL

Media control and radio control

Control of a motor via media control and radio control

- control via media control or IB-BUS system by radio control transmitter interface with dry contacts
- less wiring effort due to radio control control
- handheld radio remote control and wall mounted transmitter possible
- emergency operation via switch Somfy Smoove Uno or wire contact possible
- several radio control transmitter programmable
- intermediate position (image format) programmable

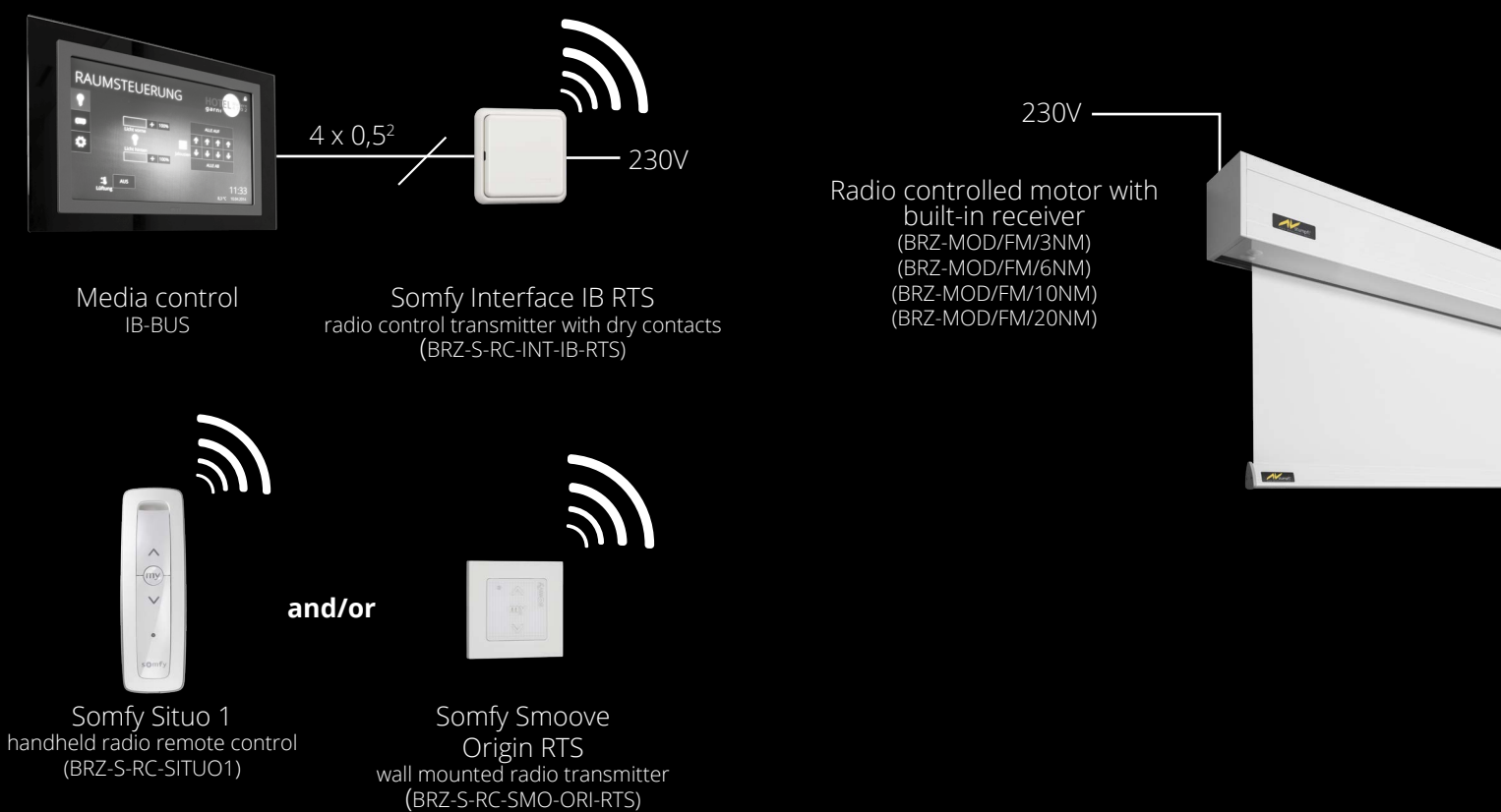


ROLL UP-CONTROL

Media control and radio control

Control of a radio controlled motor via media control and radio control

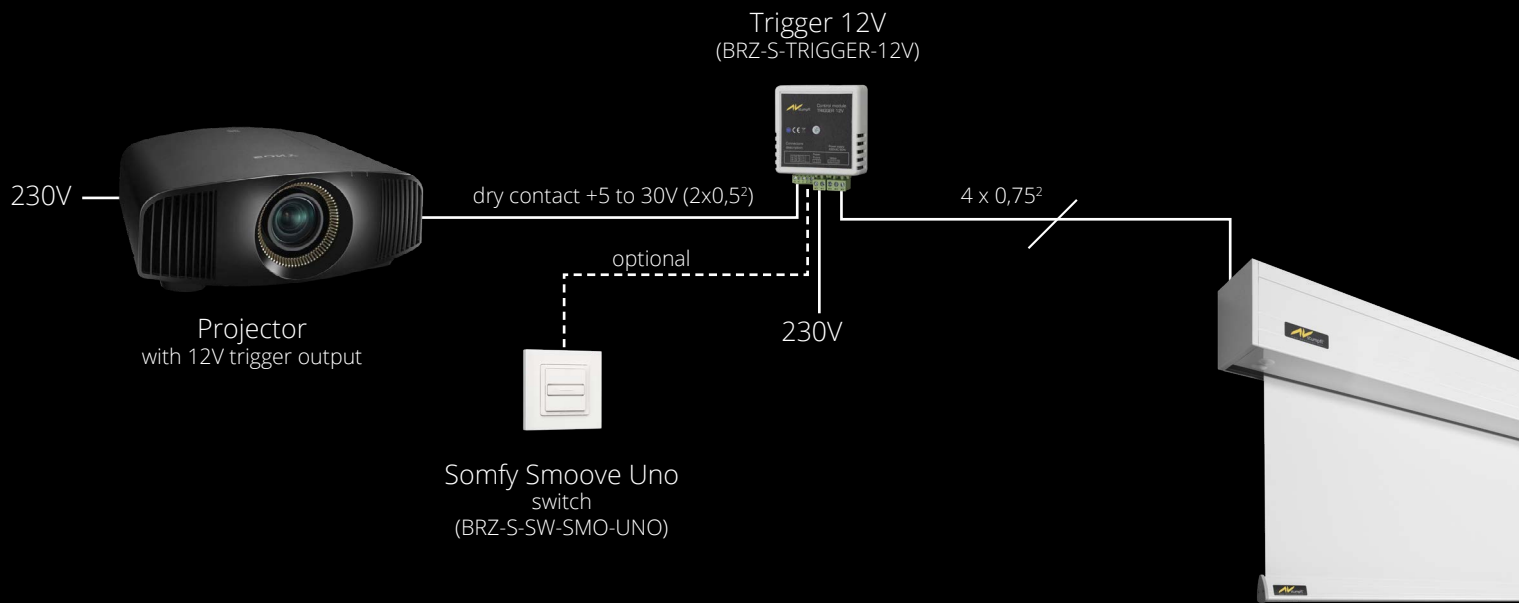
- control via media control or IB-BUS system by radio control transmitter interface with dry contacts
- less wiring effort due to radio control control
- handheld radio remote control and wall mounted transmitter possible
- end position adjustable via radio remote control
- emergency operation without transmitter via buttons on the receiver Somfy Interface IB RTS possible
- several radio control transmitter programmable
- intermediate position (image format) programmable



ROLL UP-CONTROL Trigger

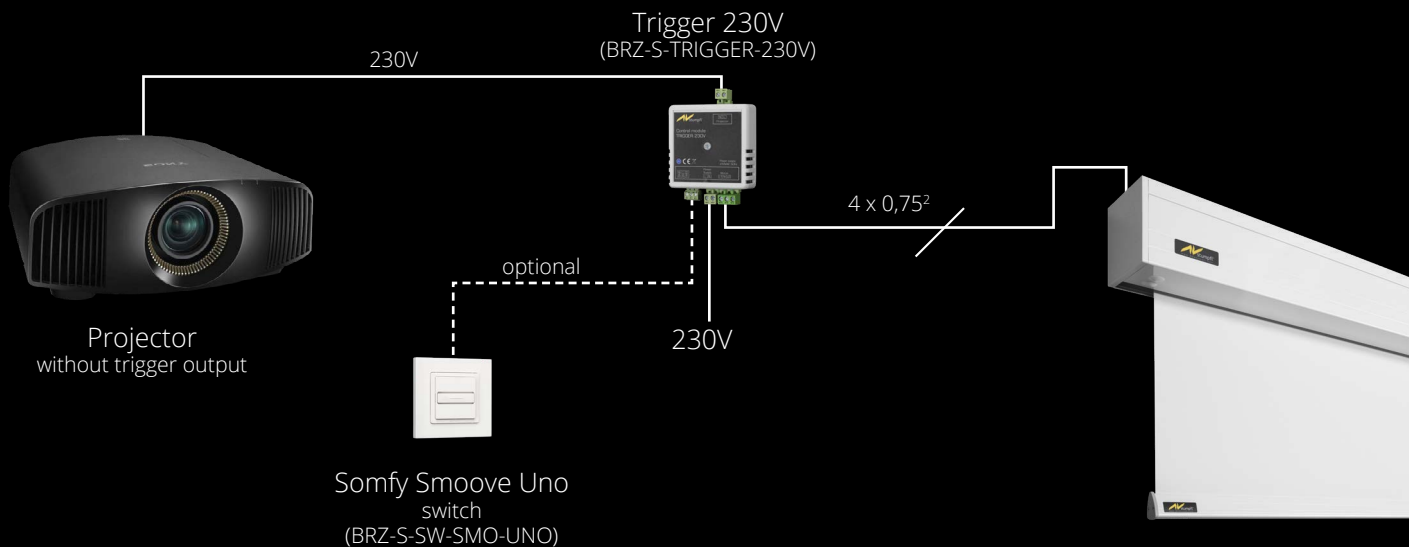
Control of a motor via 12V Trigger signal of the projector

- control of the projection screen via projector with trigger output
- switching on the projector unwinds the projection screen
- switching off the projector rewinds the projection screen
- direct control of the projection screen via optional switch possible



Control of a motor via 230V Trigger signal of the projector

- control of the projection screen via projector (any 230V device) without trigger output
- switching on the projector unwinds the projection screen
- switching off the projector rewinds the projection screen
- direct control of the projection screen via optional switch possible

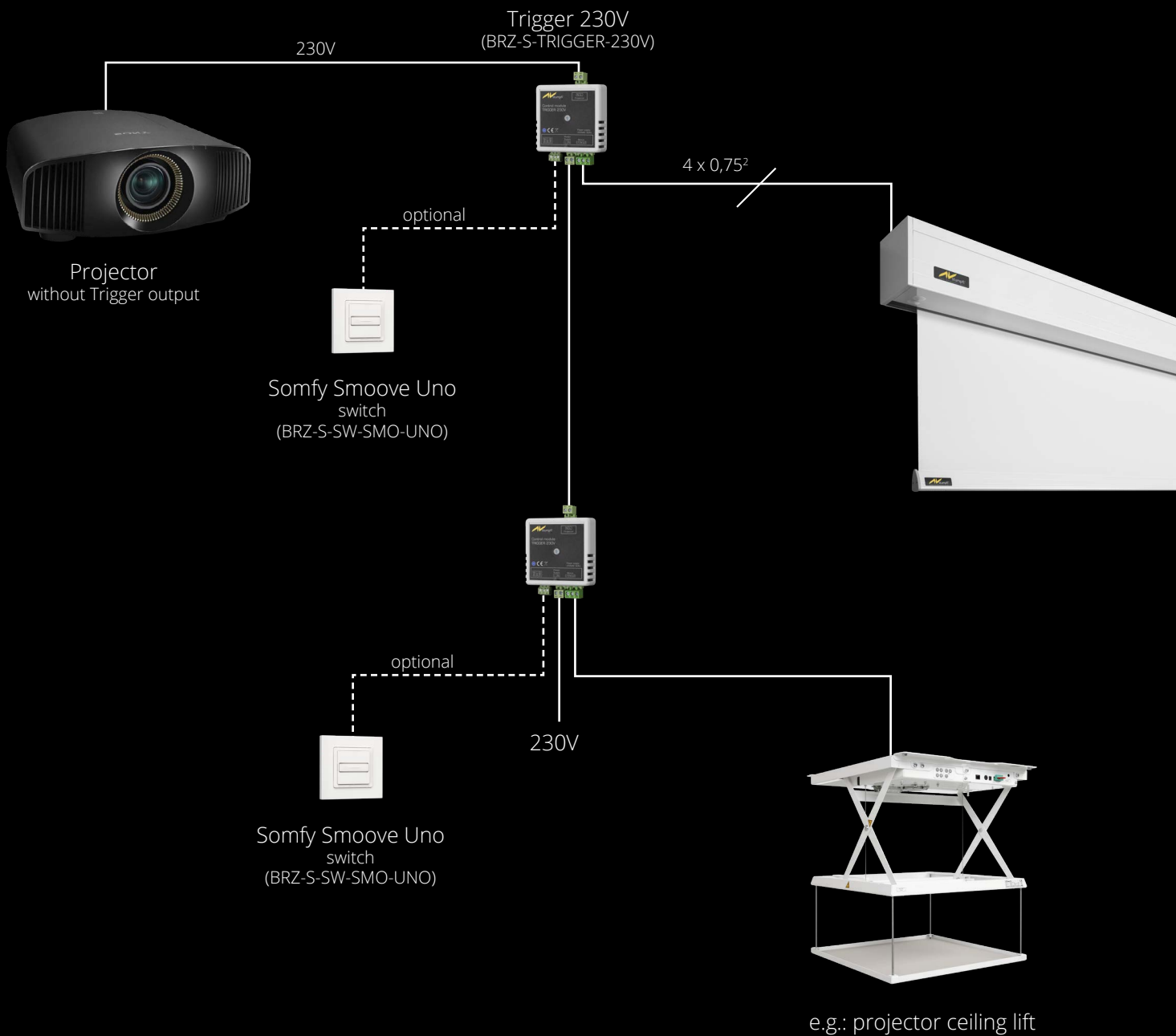


ROLL UP-CONTROL

Trigger

Control of several motors via 230V Trigger signal of the projector

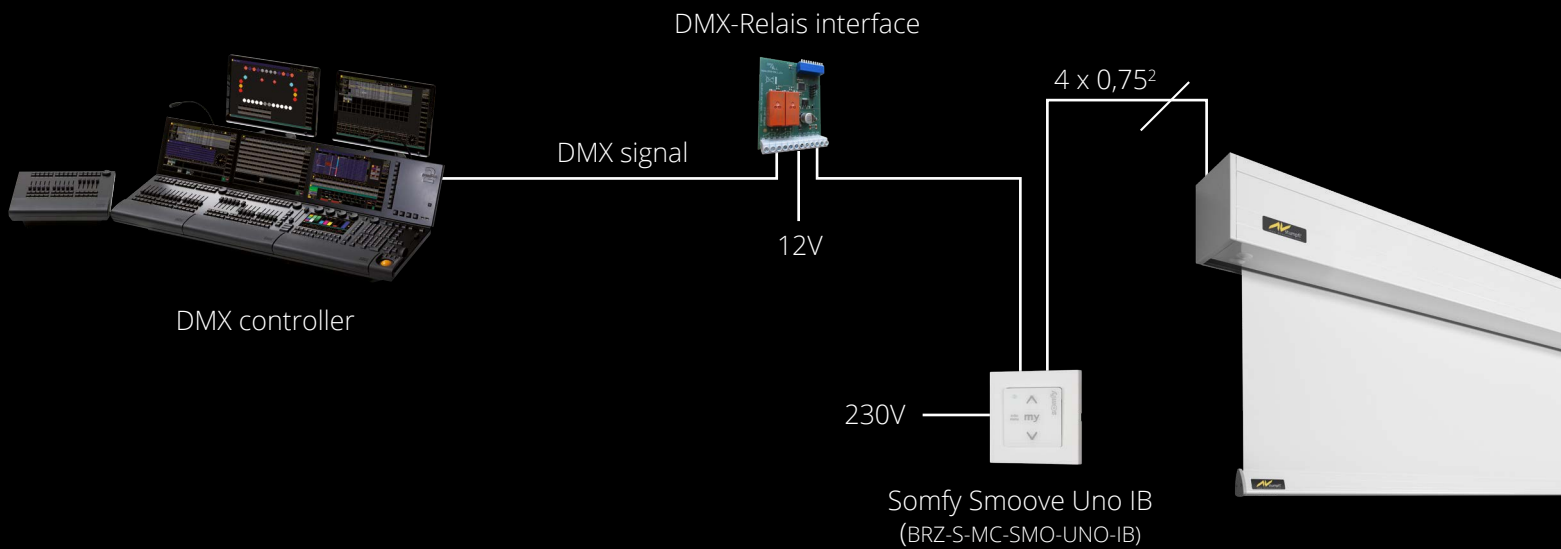
- control of the projection screen via projector (any 230V device) without trigger output
- switching on the projector e.g. unwinds the projection screen and the projector ceiling lift goes down
- Switching off the projector e.g. rewinds the projection screen and the projector ceiling lift goes up
- direct control of the projection screen via optional switch possible



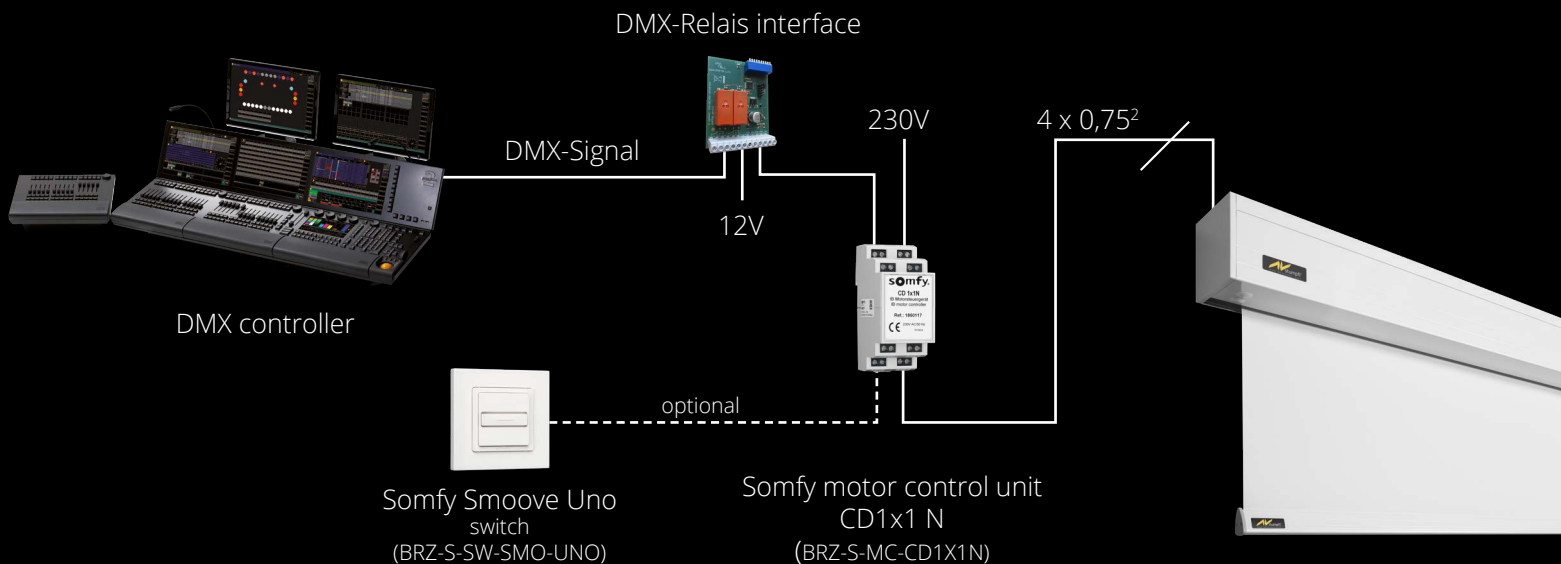
ROLL UP-CONTROL DMX

Control of one motor via DMX signal

- control by a DMX signal with a DMX relay interface and a motor control unit
- motor control unit for flush mounting with integrated switch
- manual control by using buttons on the motor control unit
- intermediate position (image format) programmable
- compatible to all switch series in standard size 50x50mm



- control by a DMX signal with a DMX relay interface and a motor control unit for DIN rail mounting.
- direct control by optional switch possible
- intermediate position (image format) programmable





ROLL UP-CONTROL DMX

Optional:



Housing for
DMX-Relais interface
(BRZ-S-DMX-AD-DIN)



DMX 12V power
supply for DIN rail
(BRZ-S-DMX-12V-PS)



AV Stumpfl GmbH | 4702 Wallern | Mitterweg 46 | Austria
AVstumpfl@AVstumpfl.com | www.AVstumpfl.com
tel.: +43 (0) 7249 / 42811 | fax: +43 (0) 7249 / 42811-4

WEEE-Reg. NR.: DE 24145251